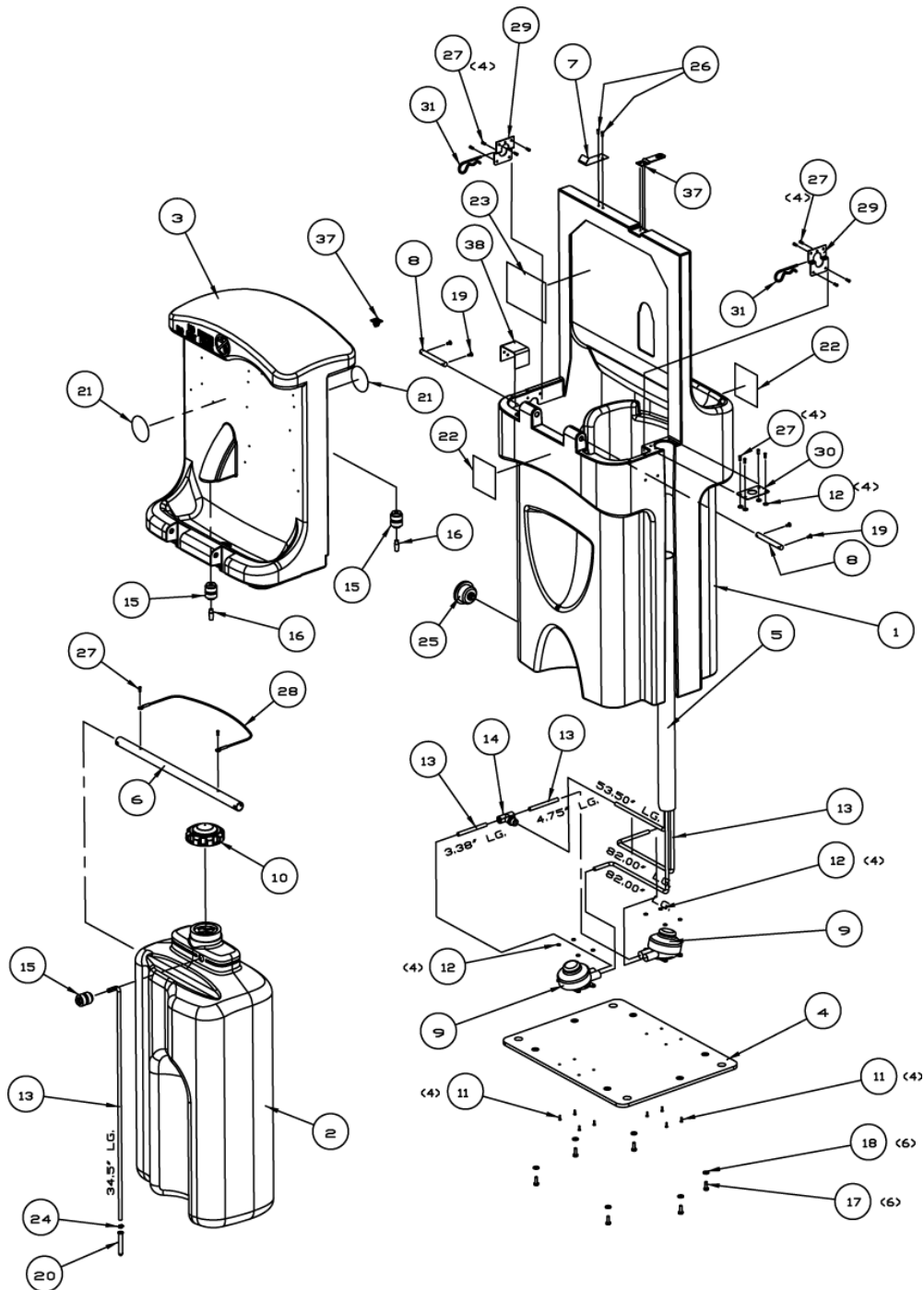


### BREEZE™ MAJOR ASSEMBLY



Visa / Mastercard / American Express / Discover  
 \$25.00 Minimum Order — Prices and quantities subject to change / all prices are FOB FACTORY — Priced in U.S. Dollars  
 20% minimum restocking charge applies on returns

## BREEZE™ MAJOR ASSEMBLY

REV C ITEM #	PART#	QTY PER UNIT	DESCRIPTION	PRICE EACH
	18233	1	THE BREEZE	
1	18234	1	TANK, BREEZE GREY	
2	18235	1	TANK- BREEZE FRESH GREY	
3	18236	1	BASIN- BREEZE	
4	18237	1	PLATE- BREEZE BASE	
5	18238	1	TUBE- BREEZE HOSE	
6	18239	1	TUBE- BREEZE TANK HOLDDOWN	
7	18240	1	LATCH- BREEZE	
8	17395	2	STRUT- POLYETHYLENE SHORT	
9	16305	2	PUMP- BABY FOOT 3/8 HOSE INS	
10	18344	1	CAP- 3-1/2in W/VENT	
11*	11027	8	RIVET- #66 ALUM	
12*	11315	12	WASHER- 3/16 RIVET STNLS	
13	16304	260"	TS HOSE- 3/8 OD TUBING	
14	18345	1	TS FITTING- 3/8 HOS TEE	
15	16823	3	TS FITTING- 3/8 HOS X BULKHEAD	
16	16819	2	NOZZLE- THE WAVE	
17	16814	6	BOLT- 1/4-20 X 3/4 STNLS	
18*	11360	6	WASHER- 1/4 ID FENDER STNLS	
19*	16393	4	SCREW- #10 X 1/2 HI-LO PHPN	
20	16829	1	FILTER- 1/2 X 3-1/2 CYLINDER	
21	13776	2	DECAL- DO NOT DRINK	
22	17463	2	DECAL- WAVE/BREEZE PUMP INSTR	
23	18242	1	DECAL- BREEZE/WAVE PROCEDURE	
24	10280	1	CLAMP- WORMDRIVE #6 STNLS	
25	17458	1	PLUG- 2in RUBBER HOLE	
26*	17436	2	RIVET- AVDEL SILVER	
27	15975	14	RIVET- #66 STNLS	
28	18380	1	CABLE- BREEZE TANK	
29	18374	2	BRACKET- BREEZE HOLDDOWN	
30	18383	1	PLATE- BREEZE HOSE TUBE	
31	18381	2	HAIRPIN-1in COTTER STNLS	
37	18446	1	KIT- BREEZE HASP W/FASTENERS	
38	18447	1	KIT- WASTEBASKET BRACKET	
	18878	1	KIT- BABY FOOT SPRING/CAP/CLAM	
	20508	1	BOOT - BABY FOOT PUMP	

\* ONLY SOLD IN MULTIPLES OF 100

Consult Your Area Manager at:

Tel: 1-800-883-1123 (US &amp; Canada) Fax: 1-800-328-3334 (US &amp; Canada)

Web Site: [www.satelliteindustries.com](http://www.satelliteindustries.com)